



RollBase & Caster Options

Information & Specifications



(model RBASE1 show here without desk)

- ▶ Easily convert desks, racks and lecterns into mobile units
- ▶ Independent Platform RollBase design for desks is more rugged and absorbs movement and impact
- ▶ All-sized casters heavily built for smooth operation and durability
- ▶ Easy field installation

The HSA RollBase and Caster options give you a great way to add mobility to your HSA Rolltop Desk & Rack Systems. Very suitable for boardroom, Houses of Worship, educational, corporate, recording and other professional environments, the HSA RollBase and Caster options are an elegant and easy way to create portable, versatile workcenters for your audio, video and many other electronic systems.

Materials & Assembly: RollBases are handcrafted from a selection of engineered core and multi-core panels with special matte black high-pressure laminate surfaces, and edged in durable black PVC, for high dimensional integrity, consistency and strength. This tough surface works well for the "ground level" abuse that a caster base receives in normal use and is easy to keep looking nice and clean. Heavy steel brackets and 1/4" bolts secure the RollBases to their desks and racks and through-bolts secure the casters.

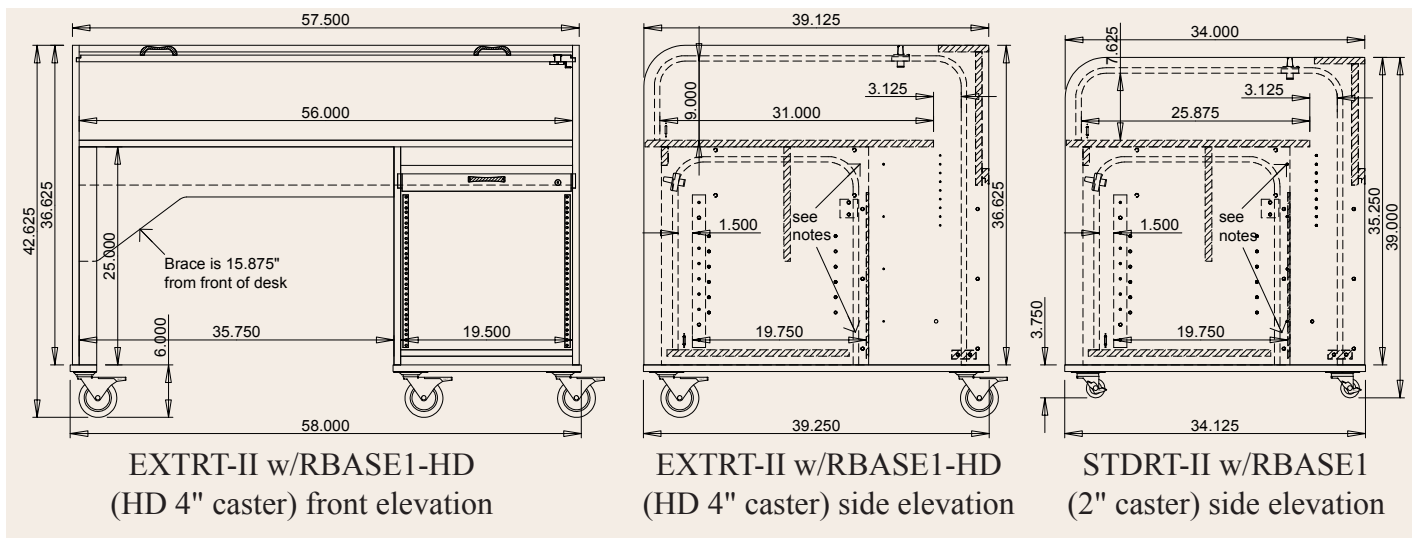
RollBase Component Concept: Our new RollBase design is based on two basic components: a Sidewall Support Base and a Rack Support Base as shown in the photo at the top of the page. All Rollbases use one or more of either component depending on whether a desk body has one or more undermounted (or side racks), no racks, or is a "mini" design such as our Standard Mini. RollBase components are adjusted to the "front-to-back" depth of the desk system and rack type and orientation if ordered at the same time as the desk. If ordered separately, you need to specify desk model and rack layout (e.g.: rack is left-hand or right hand, undermounted or side, or no racks, etc).

RollBase Features & Advantages: By separating the support platforms, the RollBase design allows some structural flexibility while absorbing movement forces. Also, this more "open" design provides much more clearance for operator comfort and can assist with accessibility compliance on some models.

Castors: Our primary casters are our 4" diameter heavy-duty, dual-locking version or our 2" diameter business machine (sometimes called a "barrel" due to its wide footprint) locking caster. These are used on our RollBases or added directly to the floors of PR Series,

Classic Racks, RollRacks and Slant RollRacks. A special 3" diameter locking caster is use on our USAVID lecterns and the DR/TR Executive Racks. Note that the 4" heavy-duty caster (designated by the -HD suffix in the item codes) locks both the wheel rotation and the wheel swivel for higher locked stability.

Easy Assembly: RollBase options are shipped with your desk order ready to attach. The support platforms, steel brackets and casters are all pre-assembled together and all that is needed is to attach those assemblies to the desk system with a few supplied bolts. In the case of Inspire Series desks and racks, the desk and rack bodies will be provisioned for "bolt-together" as well, with additional hardware included to field attach those together before attaching the RollBase. CASTER, CASTER-HD and DRCASTERS-HD options are shipped already pre-installed on their respective products.



EXTRT-II w/RBASE1-HD
(HD 4" caster) front elevation

EXTRT-II w/RBASE1-HD
(HD 4" caster) side elevation

STDRT-II w/RBASE1
(2" caster) side elevation



HREXT-II w/RBASE1-HD
(with 6 HD/heavy-duty 4" casters)



EXTRT-II w/RACKLEFT option,
PLUS4 and the RBASE1 (with 6
standard 2" casters)



Classic Rack with PLEXDOOR option and the CASTERS-HD option
(4 - 4" heavy-duty casters directly attached to rack floor)



Inspire High Rise Extended with additional Inspire Side Rack (2 racks total) and the RBASE2-HD (with 8 - 4" heavy duty casters)

Drawing Notes: RollBases are comprised using only two basic elements: a sidewall platform and a rack platform. With those two elements, and a choice of either the standard 2" diameter locking casters, or the "HD" heavy-duty 4" diameter caster, just about any desk and rack combination's Roll-Base can be designed.

In the above drawing, an EXTRT-II is shown with an RBASE1-HD (4" HD casters) in the front and side elevation view. The rightmost part of the drawing shows a STDRT-II with the RBASE1 (2" standard casters). RollBases with the "HD" (heavy-duty) suffix added increase the total height of the desk and rack system 6.00" while a RollBase without a suffix (no "HD") will use the 2" standard caster and raise the desk and rack system by 3.75".

CASTERS or CASTERS-HD option directly mount the casters to the floor of a Classic Rack, RollRack, Slant RollRack or PR Series Rack. The CASTERS option using the standard 2" caster raises the total height by 3.00" while the CASTERS-HD option using the 4" heavy-duty caster raises the total height by 5.25"

Casters for the DR and TR Executive Racks, and the USAVID Series, are special heavy-duty locking 3" diameter casters to fit space requirements and are directly attached the respective product's floor.

These and many more options are available. Contact your dealer, or HSA directly, or visit our website at www.hsarolltops.com for more information and design assistance.

WARRANTY: HSA warrants standard products for a period of one year and covers defects in materials and workmanship. Wood is a natural material and every piece is unique. Deviations in the final products from each other or samples in finish, color, contrast, density and pattern are to be expected and is part of the beauty and appeal in wood products and are not considered defects under our warranty. The warranty does not cover improper installation or use of HSA products. The warranty also does not cover appearance or appearance items, finish items or any malfunctions caused by misuse or improper operation. HSA's liability does not include any consequential or resulting damage to person, property, equipment, goods, merchandise, profits, goodwill, or reputation arising out of any defect in or failure of product. HSA expressly disclaims warranty for a particular purpose and only designs and manufactures product according to dimensions furnished by the buyer or as stated in literature, website publication or drawings by HSA (which are subject to change without notice). HSA does not guarantee that another manufacturer's piece or pieces of equipment will fit into one of our designs or products as HSA does not exercise control over the sizes, arrangement, wiring or application of the other manufacturer's products or the end-user's operating preferences. Therefore the determination of whether or not equipment or a system will properly fit into an HSA product is a decision resting solely on the buyer prior to purchase. Warranty items will be repaired or replaced at our option without charge for materials or labor, provided such items are returned for inspection, transportation prepaid, to HSA, Inc., Mishawaka, IN.

Product specifications, availability and cost subject to change without notice.

RollBase & Caster Options © 1990-2018 by HSA, Inc